

PTU SERIES

PP can construction with press-fit top cover and U terminal leads out

Metallized Polypropylene (MPP) Capacitors are film Capacitors, made out of two Al-Zn metallized films with plastic film acting as dielectric. PTU series MPP Capacitors are with press-fit top cover, U terminal leads out and encapsulated in PP can.

Based on international standards PTU MPP Capacitors are categorised as

- a) AC Fan motor Capacitors (IS 1709:1984)
- b) Motor Run Capacitors (IS 2993:1998)

1. SPECIFICATIONS

a) **AC Fan Motor Capacitor**

Series	PTU Series
Type	Metallized Polypropylene Motor Run Capacitor
Reference Standard	IS709: 1984
Rated Voltage	440 Vac
Rated Frequency	50/60 Hz
Climatic Category	-25/85°C/21
Type	MPP-SH
Safety Protection	P0
Capacitance Range	4 to 6µF
Capacitance Tolerance	±5%

PTU SERIES

PP can construction with press-fit top cover and U terminal leads out

a) **Motor Run Capacitor**

Series	PTU Series
Type	Metallized Polypropylene Motor Run Capacitor
Reference Standard	IS2993: 1998
Rated Voltage	440 Vac
Rated Frequency	50/60 Hz
Climatic Category	-25/85°C/21
Type	MPP-SH
Safety Protection	P0
Capacitance Range	8 to 60 μ F
Capacitance Tolerance	\pm 5%
Class of Operation	Class C/ Class D

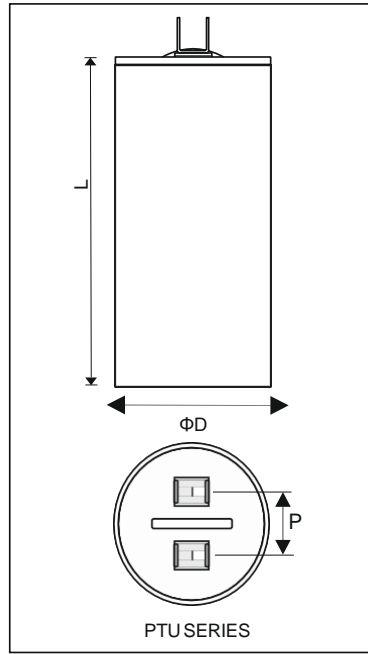
2. OTHER INFORMATION

Type of packing and Lead configuration	Bulk. U terminal leads out.
Capacitor codification system	Refer section 6 for details
Dimensional specification	Refer section 4 for details
Marking specification	Refer section 7 for details

PTU SERIES

PP can construction with press-fit top cover and U terminal leads out

3. PHYSICAL OUTLINE



All Dimensions are in “mm”

4. DIMENSIONS (All units in mm)

Case Code	Diameter $\text{ØD} \pm 1$ (mm)	Length $L \pm 3$ (mm)
EG	30	57
GK	35	71
JK	40	71
JR	40	94
LR	45	94
NV	50	120

PTU SERIES

PP can construction with press-fit top cover and U terminal leads out

5. STANDARD RATING TABLE

a) AC Fan Motor Capacitor (IS-1709:1984)

Part Number	Rating (μF)	Diameter $\text{ØD}\pm 1$ (mm)	Length $L\pm 3$ (mm)	Case Code	Pitch Length $P\pm 0.1$ (mm)
PTU04R0GEGWC	4	30	57	EG	13.5
PTU06R0GEGWC	6	30	57	EG	13.5

b) Motor Run Capacitors (IS-2993:1998)

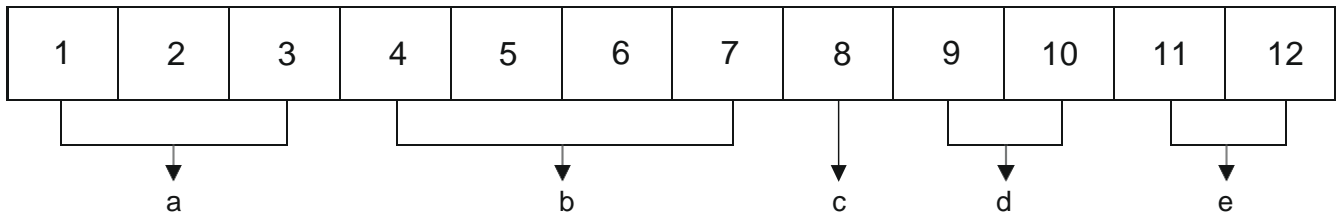
Part Number	Rating (μF)	Diameter $\text{ØD}\pm 1$ (mm)	Length $L\pm 3$ (mm)	Case Code	Pitch Length $P\pm 0.1$ (mm)
PTU08R0GGKWC	8	35	71	GK	13.5
PTU10R0GGKWC	10	35	71	GK	13.5
PTU15R0GJKWC	15	40	71	JK	13.5
PTU20R0GJRWC	20	40	94	JR	13.5
PTU25R0GJRWC	25	40	94	JR	13.5
PTU30R0GLRWC	30	45	94	LR	13.5
PTU36R0GLRWC	36	45	94	LR	13.5
PTU40R0GNVWC	40	50	120	NV	13.5
PTU45R0GNVWC	45	50	120	NV	13.5
PTU50R0GNVWC	50	50	120	NV	13.5
PTU60R0GNVWC	60	50	120	NV	13.5

PTU SERIES

PP can construction with press-fit top cover and U terminal leads out

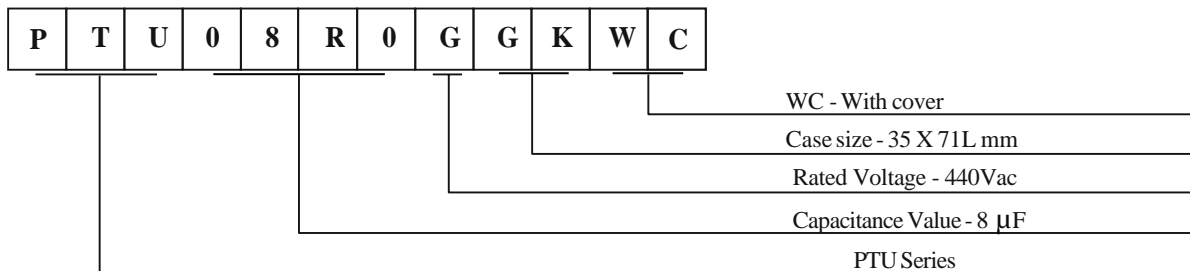
6. CAPACITOR ORDERING INFORMATION

Capacitors are identified with the help of a 12-digit code. Expansion of part Nos are detailed below.



a	b	c	d	e
Series Code	Capacitance Value Code	Voltage Code	Case Code	Top Cover Details
PTU: PP can, Resin Top, U terminal termination	Eg: (i) 20 μ F is coded as 20R0 (ii) 2.5 μ F is coded as 02R5 (For the range of Capacitance refer rating table)	A - 110 V B - 230 V G - 440 V	Eg: LR - 45 x 94 NV - 50 x 120	WC - With Cover

Eg: PTU Series 8 μ F/440VAC



PTU SERIES

PP can construction with press-fit top cover and U terminal leads out


7. MARKING ON THE CAPACITOR

For PTU series MPP Capacitors product information is printed on the can in black letters. The following information are marked on the Capacitor;

a) AC Fan Motor Capacitor (IS-1709)

- | | |
|---|----------------------------|
| 1) Manufacturer's Name and Logo  | 2) Climatic Category |
| 3) Nominal capacitance value in μf | 4) Capacitance tolerance |
| 5) Rated voltage | 6) Rated frequency |
| 7) Self – healing (SH) | 8) Type of dielectric- MPP |
| 9) Specification (standard) number | 10) Date code (Year-Month) |

b) Motor Run Capacitors (IS-2993)

- | | |
|---|-------------------------------------|
| 1) Manufacturer's Name and Logo  | 2) Climatic Category |
| 3) Nominal capacitance value in μf | 4) Capacitance tolerance |
| 5) Rated voltage | 6) Rated frequency |
| 7) Self – healing (SH) | 8) Class of operation |
| 9) Safety protection | 10) Specification (standard) number |
| 11) Date code (Year-Month) | 12) ISI Mark and Licence No: |

PTU SERIES

PP can construction with press-fit top cover and U terminal leads out

8. DATE CODE

Year Code:

Year	2020	2021	2022	2023	2024	2025	2026	2027	2028	2029
Letter Code	M	N	P	R	S	T	U	V	W	X

Year	2030	2031	2032	2033	2034	2035	2036	2037	2038	2039
Letter Code	A	B	C	D	E	F	H	J	K	L

Year code repeats after each cycle of 20 years

Month Code:

Month	Jan	Feb	Mar	Apr	May	June	July	Aug	Sep	Oct	Nov	Dec
Code	1	2	3	4	5	6	7	8	9	O	N	D

9. PACKING QUANTITY

MPP Capacitors are packed in a PRIMARY cardboard carton by incorporating suitable SEPARATORS to avoid damages during transit. The primary cartons are then placed in a MOTHER Cardboard carton before shipment.

Packing quantity per primary carton are detailed below;

Case Code	No.s/ Carton
EG	81
GK	81
JK	64
JR	64
LR	49
NV	36