

**PPW SERIES**

PP can construction with press-fit top cover and flexible multistrand wire leads out

Metallized Polypropylene (MPP) Capacitors are film Capacitors, made out of two Al-Zn metallized films with plastic film acting as dielectric. PPW series MPP Capacitors are with press-fit top cover, flexible multistrand copper wire leads out and encapsulated in PP can.

Based on international standards PPW MPP Capacitors are categorised as

- a) AC Fan motor Capacitors (IS 1709:1984)
- b) Motor Run Capacitors (IS 2993:1998)

**1. SPECIFICATIONS**

a) **AC Fan Motor Capacitor**

Series	PPW Series
Type	Metallized Polypropylene AC fan motor Capacitor
Reference Standard	IS1709 : 1984
Rated Voltage	440 Vac
Rated Frequency	50/60 Hz
Climatic Category	-25/85°C/21
Type	MPP-SH
Safety Protection	P0
Capacitance Range	2 to 6μF
Capacitance Tolerance	±5%

**PPW SERIES**

PP can construction with press-fit top cover and flexible multistrand wire leads out

**b) Motor Run Capacitor**

Series	PPW Series
Type	Metallized Polypropylene Motor Run Capacitor
Reference Standard	IS2993 : 1998
Rated Voltage	440 Vac
Rated Frequency	50/60 Hz
Climatic Category	-25/85°C/21
Type	MPP-SH
Safety Protection	P0
Capacitance Range	8 to 60μF
Capacitance Tolerance	±5%
Class of Operation	Class C/ Class D

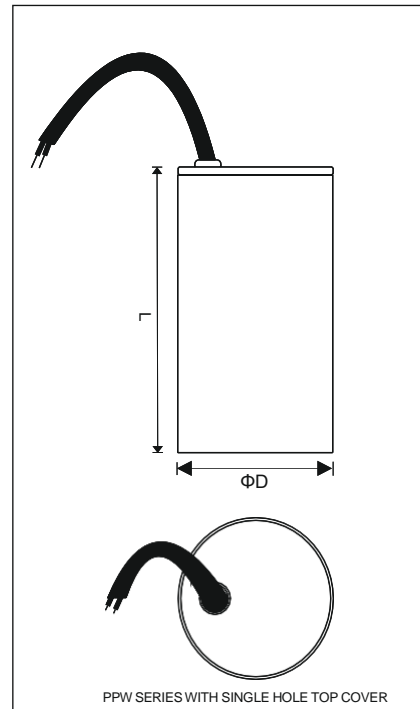
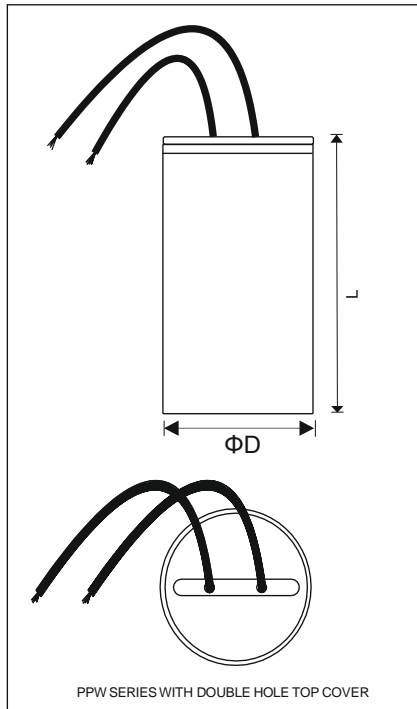
**2. OTHER INFORMATION**

Type of packing and Lead configuration	Bulk. Multistrand copper wire leads out.
Capacitor codification system	Refer section 6 for details
Dimensional specification	Refer section 4 for details
Marking specification	Refer section 7 for details

**PPW SERIES**

PP can construction with press-fit top cover and flexible multistrand wire leads out

**3. PHYSICAL OUTLINE**



All Dimensions are in “mm”

**4. DIMENSIONS** (All units in mm)

Case Code	Diameter ØD±1 (mm)	Length L±3 (mm)
CD	27	52
ED	30	52
GE	35	58
GK	35	71
JK	40	71
LR	45	94
NV	50	120
QV	54	120

## PPW SERIES

PP can construction with press-fit top cover and flexible multistrand wire leads out

### 5. STANDARD RATING TABLE

#### a) AC Fan Motor Capacitor (IS-1709:1984)

Part Number	Rating ( $\mu$ F)	Diameter $\varnothing D \pm 1$ (mm)	Length $L \pm 3$ (mm)	Case Code	Wire Length (mm)	Top cover
PPW02R0GCDPD	2	27	52	CD	100 $\pm$ 5	Double Hole
PPW2R25GCDPD	2.25	27	52	CD	100 $\pm$ 5	Double Hole
PPW02R5GCDPD	2.5	27	52	CD	100 $\pm$ 5	Double Hole
PPW03R0GCDPD	3	27	52	CD	100 $\pm$ 5	Double Hole
PPW04R0GEDPS	4	30	52	ED	210 $\pm$ 5	Single Hole
PPW05R0GEDPS	5	30	52	ED	210 $\pm$ 5	Single Hole
PPW06R0GEDPS	6	30	52	ED	210 $\pm$ 5	Single Hole
PPW08R0GEDPS	8	30	52	ED	210 $\pm$ 5	Single Hole
PPW10R0GEDPS	10	30	52	ED	210 $\pm$ 5	Single Hole

#### b) Motor Run Capacitors (IS-2993:1998)

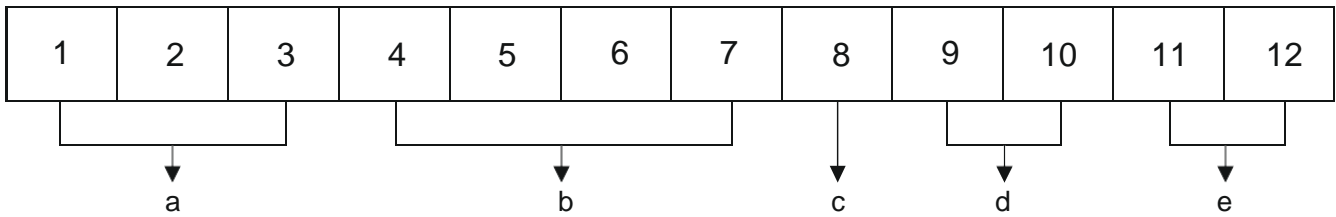
Part Number	Rating ( $\mu$ F)	Diameter $\varnothing D \pm 1$ (mm)	Length $L \pm 3$ (mm)	Case Code	Wire Length (mm)	Top cover
PPW08R0GGKPS	8	35	71	GK	250 $\pm$ 5	Single Hole
PPW08R0GGEPS		35	58	GE	210 $\pm$ 5	Single Hole
PPW10R0GGKPS	10	35	71	GK	250 $\pm$ 5	Single Hole
PPW10R0GGEPS		35	58	GE	210 $\pm$ 5	Single Hole
PPW12R5GGKPS	12.5	35	71	GK	250 $\pm$ 5	Single Hole
PPW15R0GGKPS	15	35	71	GK	250 $\pm$ 5	Single Hole
PPW15R0GJKPS		40	71	JK	250 $\pm$ 5	Single Hole
PPW18R0GJKPS	18	40	71	JK	250 $\pm$ 5	Single Hole
PPW20R0GJKPS	20	40	71	JK	250 $\pm$ 5	Single Hole
PPW20R0GLRPS		45	94	LR	250 $\pm$ 5	Single Hole
PPW25R0GLRPS	25	45	94	LR	250 $\pm$ 5	Single Hole
PPW30R0GLRPS	30	45	94	LR	250 $\pm$ 5	Single Hole
PPW36R0GLRPS	36	45	94	LR	250 $\pm$ 5	Single Hole
PPW40R0GNVPS	40	50	120	NV	250 $\pm$ 5	Single Hole
PPW45R0GNVPS	45	50	120	NV	250 $\pm$ 5	Single Hole
PPW50R0GNVPS	50	50	120	NV	250 $\pm$ 5	Single Hole
PPW60R0GQVPS	60	54	120	QV	250 $\pm$ 5	Single Hole

**PPW SERIES**

PP can construction with press-fit top cover and flexible multistrand wire leads out

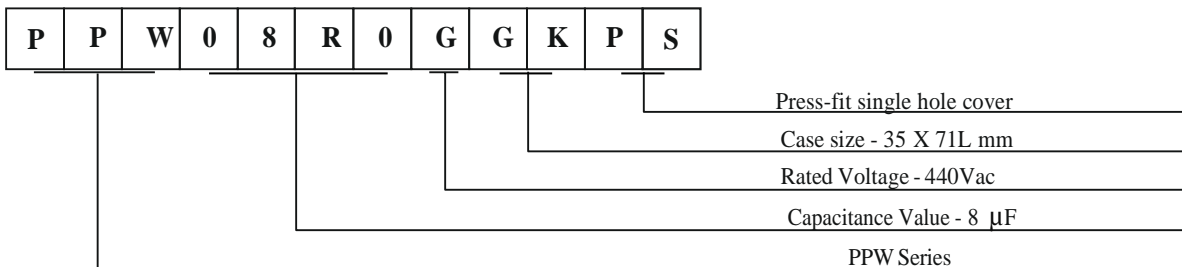
**6. CAPACITOR ORDERING INFORMATION**

Capacitors are identified with the help of a 12-digit code. Expansion of part Nos are detailed below.



a	b	c	d	e
<b>Series Code</b>	<b>Capacitance Value Code</b>	<b>Voltage Code</b>	<b>Case Code</b>	<b>Top Cover Details</b>
PPW: PP can, press-fit top cover, Wire termination	Eg: (i) 20 $\mu$ F is coded as 20R0 (ii) 2.5 $\mu$ F is coded as 02R5 (For the range of Capacitance refer rating table)	A - 110 V B - 230 V G - 440 V	Eg: GK - 35 x 71 NV - 50 x 120	PS - Press fit single hole cover  PD - Press fit double hole cover

Eg: PPW Series 8 $\mu$ F/440VAC



## PPW SERIES

PP can construction with press-fit top cover and flexible multistrand wire leads out

### 7. MARKING ON THE CAPACITOR


For PPW series MPP Capacitors product information is printed on the can in black letters.

The following information are marked on the Capacitor;

#### a) AC Fan Motor Capacitor (IS-1709)

- |   |                            |
|---|----------------------------|
| 1) Manufacturer's Name and Logo  | 2) Climatic Category       |
| 3) Nominal capacitance value in $\mu\text{f}$   | 4) Capacitance tolerance   |
| 5) Rated voltage  | 6) Rated frequency         |
| 7) Self – healing (SH)  | 8) Type of dielectric- MPP |
| 9) Specification (standard) number  | 10) Date code (Year-Month) |

#### b) Motor Run Capacitors (IS-2993)

- |   |                                     |
|---|-------------------------------------|
| 1) Manufacturer's Name and Logo  | 2) Climatic Category                |
| 3) Nominal capacitance value in $\mu\text{f}$   | 4) Capacitance tolerance            |
| 5) Rated voltage  | 6) Rated frequency                  |
| 7) Self – healing (SH)  | 8) Class of operation               |
| 9) Safety protection  | 10) Specification (standard) number |
| 11) Date code (Year-Month)  | 12) ISI Mark and Licence No:        |

## PPW SERIES

PP can construction with press-fit top cover and flexible multistrand wire leads out

### 8. DATE CODE

#### Year Code:

<b>Year</b>	2020	2021	2022	2023	2024	2025	2026	2027	2028	2029
<b>Letter Code</b>	M	N	P	R	S	T	U	V	W	X

<b>Year</b>	2030	2031	2032	2033	2034	2035	2036	2037	2038	2039
<b>Letter Code</b>	A	B	C	D	E	F	H	J	K	L

Year code repeats after each cycle of 20 years

#### Month Code:

<b>Month</b>	Jan	Feb	Mar	Apr	May	June	July	Aug	Sep	Oct	Nov	Dec
<b>Code</b>	1	2	3	4	5	6	7	8	9	O	N	D

### 9. PACKING QUANTITY

MPP Capacitors are packed in a PRIMARY cardboard carton by incorporating suitable SEPARATORS to avoid damages during transit. The primary cartons are then placed in a MOTHER Cardboard carton before shipment.

Packing quantity per primary carton are detailed below;

Case Code	No.s/ Carton
CD	200
ED	81
GE	81
GK	81
JK	64
LR	49
NV	36
QV	36