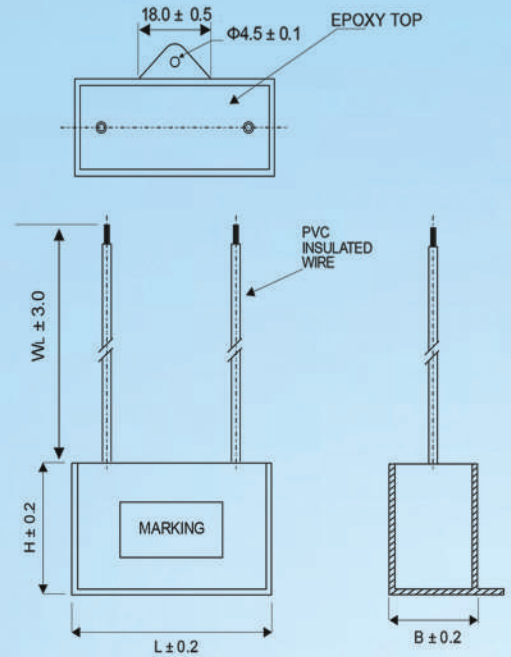
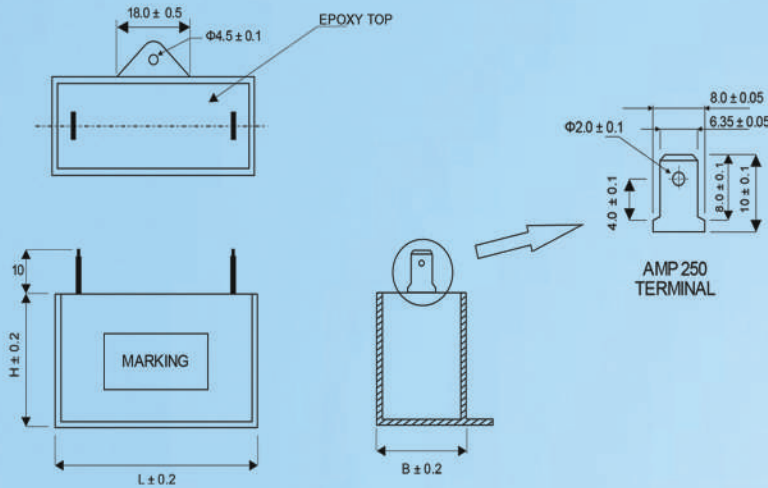


RECTANGULAR CAPACITOR - TERMINAL TYPE

RECTANGULAR CAPACITOR - WIRE TYPE



CONSTRUCTION

Dielectric	Electronic grade HT polypropylene film
Element	Thermally formed wound element of metalized polypropylene film with self-healing property.
Encapsulation Compound	Epoxy resin (UL94V0)
Case	Flame retardant PP
Terminals	Quick-connect (fast-on) terminals or PVC insulated wire

DIMENSIONAL DETAILS

Rating	Rectangular Box dimensions (mm)			Wire terminal details	
	Length (L)	Breadth (B)	Height (H)	W _L ± 3mm (mm)	Strands/Gauge
1.80µF/440Vac	38	19	28	140	16/0.15
2.00µF/440Vac	38	19	28	140	16/0.15
2.25µF/440Vac	38	19	28	140	16/0.15
2.5µF/440Vac	38	19	28	140	16/0.15

*The above range is for initial stage production.

