

PPW SERIES

PP can construction with press-fit top cover and flexible multistrand wire lead out

Metallised Polypropylene (MPP) Capacitors are film Capacitors, made out of two Al-Zn metallised films with plastic film acting as dielectric. PPW series MPP Capacitors are with press-fit top cover, flexible multistrand copper wire lead out and encapsulated in PP can.

Based on international standards PPW MPP Capacitors are categorised as

- a) AC Fan motor Capacitors (IS 1709:1984)
- b) Motor Run Capacitors (IS 2993:1998)

1. SPECIFICATIONS

a) **AC Fan Motor Capacitor**

Series	PPW Series
Type	Metalized Polypropylene AC fan motor Capacitor
Reference Standard	IS1709 : 1984
Rated Voltage	440 Vac
Rated Frequency	50/60 Hz
Climatic Category	-25/85°C/21
Type	MPP-SH
Safety Protection	P0
Capacitance Range	2 to 6µF
Capacitance Tolerance	±5%

PPW SERIES

PP can construction with press-fit top cover and flexible multistrand wire lead out

b) Motor Run Capacitor

Series	PPW Series
Type	Metalized Polypropylene Motor Run Capacitor
Reference Standard	IS2993 : 1998
Rated Voltage	440 Vac
Rated Frequency	50/60 Hz
Climatic Category	-25/85°C/21
Type	MPP-SH
Safety Protection	P0
Capacitance Range	8 to 50 μ F
Capacitance Tolerance	\pm 5%
Class of Operation	Class C/ Class D

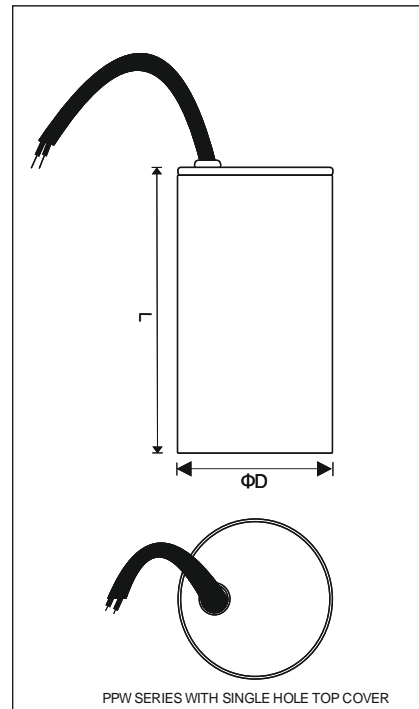
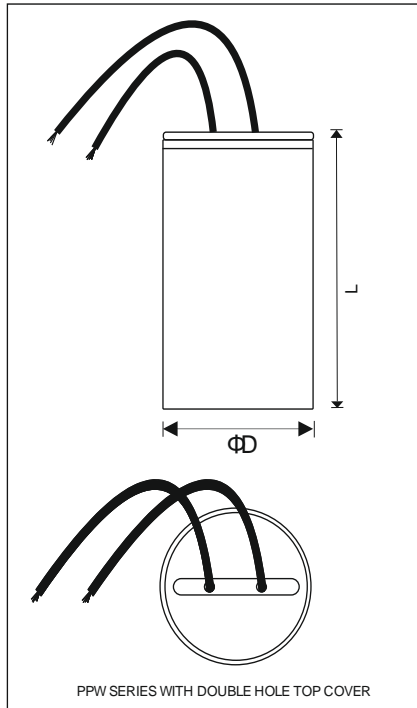
2. OTHER INFORMATION

Type of packing and Lead configuration	Bulk. Multistrand copper wire lead out.
Capacitor codification system	Refer section 6 for details
Dimensional specification	Refer section 4 for details
Marking specification	Refer section 7 for details

PPW SERIES

PP can construction with press-fit top cover and flexible multistrand wire lead out

3. PHYSICAL OUTLINE



All Dimensions are in “mm”

4. DIMENSIONS (All units in mm)

Case Code	Diameter ØD±2 (mm)	Length L±3 (mm)
CD	27	52
ED	30	52
GE	35	58
GK	35	71
JK	40	71
LR	45	94
NV	50	120

PPW SERIES

PP can construction with press-fit top cover and flexible multistrand wire lead out

5. STANDARD RATING TABLE

a) AC Fan Motor Capacitor (IS-1709:1984)

Part Number	Rating (μ F)	Diameter $\text{ØD}\pm 2$ (mm)	Length $L\pm 3$ (mm)	Case Code	Wire Length (mm)	Top cover
PPW02R0GCDDP	2	27	52	CD	100 \pm 5	Double Hole
PPW2R25GCDDP	2.25	27	52	CD	100 \pm 5	Double Hole
PPW02R5GCDDP	2.5	27	52	CD	100 \pm 5	Double Hole
PPW03R0GCDDP	3	27	52	CD	100 \pm 5	Double Hole
PPW04R0GEDPS	4	30	52	ED	210 \pm 5	Single Hole
PPW05R0GEDPS	5	30	52	ED	210 \pm 5	Single Hole
PPW06R0GEDPS	6	30	52	ED	210 \pm 5	Single Hole

b) Motor Run Capacitors (IS-2993:1998)

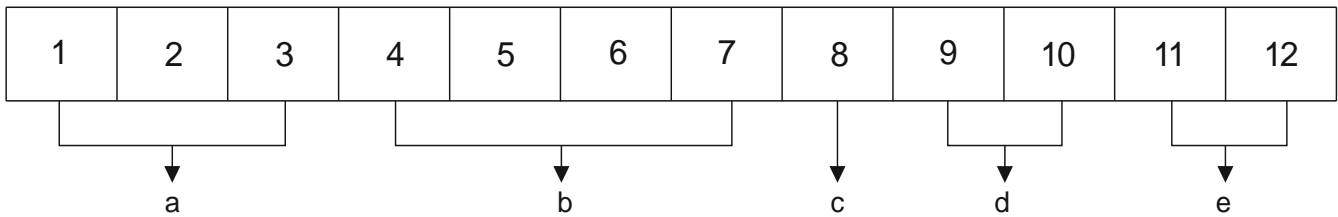
Part Number	Rating (μ F)	Diameter $\text{ØD}\pm 2$ (mm)	Length $L\pm 3$ (mm)	Case Code	Wire Length (mm)	Top cover
PPW08R0GGKPS	8	35	71	GK	250 \pm 5	Single Hole
PPW08R0GGEPS		35	58	GE	210 \pm 5	Single Hole
PPW10R0GGKPS	10	35	71	GK	250 \pm 5	Single Hole
PPW10R0GGEPS		35	58	GE	210 \pm 5	Single Hole
PPW12R5GGKPS	12.5	35	71	GK	250 \pm 5	Single Hole
PPW15R0GGKPS	15	35	71	GK	250 \pm 5	Single Hole
PPW15R0GJKPS		40	71	JK	250 \pm 5	Single Hole
PPW18R0GJKPS	18	40	71	JK	250 \pm 5	Single Hole
PPW20R0GJKPS	20	40	71	JK	250 \pm 5	Single Hole
PPW20R0GLRPS		45	94	LR	250 \pm 5	Single Hole
PPW25R0GLRPS	25	45	94	LR	250 \pm 5	Single Hole
PPW30R0GLRPS	30	45	94	LR	250 \pm 5	Single Hole
PPW36R0GLRPS	36	45	94	LR	250 \pm 5	Single Hole
PPW40R0GNVPS	40	50	120	NV	250 \pm 5	Single Hole
PPW45R0GNVPS	45	50	120	NV	250 \pm 5	Single Hole
PPW50R0GNVPS	50	50	120	NV	250 \pm 5	Single Hole

PPW SERIES

PP can construction with press-fit top cover and flexible multistrand wire lead out

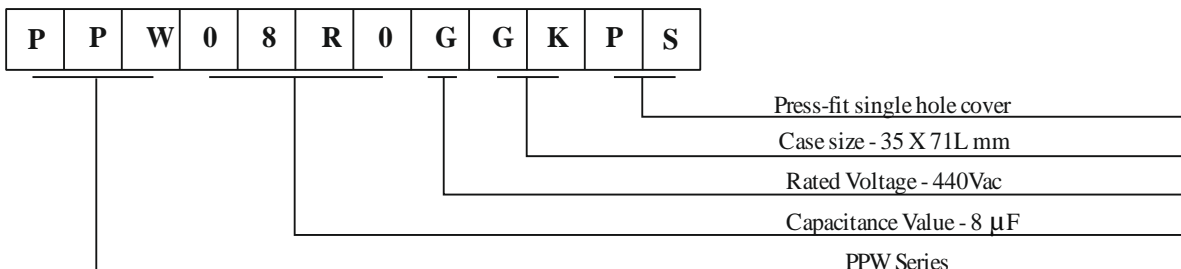
6. CAPACITOR ORDERING INFORMATION

Capacitors are identified with the help of a 12-digit code. Expansion of part Nos are detailed below.



a	b	c	d	e
Series Code	Capacitance Value Code	Voltage Code	Case Code	Top Cover Details
PPW: PP can, press-fit top cover, Wire termination	Eg: (i) 20 μ F is coded as 20R0 (ii) 2.5 μ F is coded as 02R5 (For the range of Capacitance refer rating table)	A - 110 V B - 230 V G - 440 V	Eg: GK - 35 x 71 NV - 50 x 120	PS - Press fit single hole cover PD - Press fit double hole cover

Eg: PPW Series 8 μ F/440VAC



PPW SERIES

PP can construction with press-fit top cover and flexible multistrand wire lead out

7. MARKING ON THE CAPACITOR


For PPW series MPP Capacitors product information is printed on the can in black letters.

The following information are marked on the Capacitor;

a) AC Fan Motor Capacitor (IS-1709)

- | | |
|---|----------------------------|
| 1) Manufacturer's Name and Logo  | 2) Climatic Category |
| 3) Nominal capacitance value in μf | 4) Capacitance tolerance |
| 5) Rated voltage | 6) Rated frequency |
| 7) Self – healing (SH) | 8) Type of dielectric- MPP |
| 9) Specification (standard) number | 10) Date code (Year-Month) |

b) Motor Run Capacitors (IS-2993)

- | | |
|---|-------------------------------------|
| 1) Manufacturer's Name and Logo  | 2) Climatic Category |
| 3) Nominal capacitance value in μf | 4) Capacitance tolerance |
| 5) Rated voltage | 6) Rated frequency |
| 7) Self – healing (SH) | 8) Class of operation |
| 9) Safety protection | 10) Specification (standard) number |
| 11) Date code (Year-Month) | 12) ISI Mark and Licence No: |

PPW SERIES

PP can construction with press-fit top cover and flexible multistrand wire lead out

8. DATE CODE

Year Code:

Year	2000	2001	2002	2003	2004	2005	2006	2007	2008	2009
Letter Code	M	N	P	R	S	T	U	V	W	X

Year	2010	2011	2012	2013	2014	2015	2016	2017	2018	2019
Letter Code	M	N	P	R	S	T	U	V	W	X

Year code repeats after each cycle of 20 years

Month Code:

Month	Jan	Feb	Mar	Apr	May	June	July	Aug	Sep	Oct	Nov	Dec
Code	1	2	3	4	5	6	7	8	9	O	N	D

9. PACKING QUANTITY

MPP Capacitors are packed in a PRIMARY cardboard carton by incorporating suitable SEPERATORS to avoid damages during transit. The primary cartons are then placed in a MOTHER Cardboard carton before shipment.

Packing quantity per primary carton are detailed below;

Case Code	No.s/ Carton
CD	200
ED	81
GE	81
GK	81
JK	64
LR	49
NV	36